

Plastic enclosed switch-disconnector OTDCP16S11M

OTDCP16S11M



Front operated DC-switch-disconnector

Up to 660 VDC, plastic enclosed, IP65, black handle

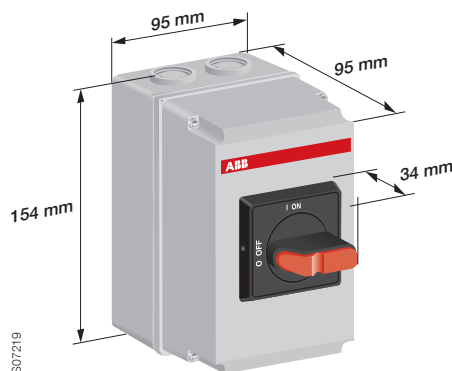
M20 threaded knock-outs, compression glands have to be ordered separately.

Number of poles	Rated operat. current [A] DC 21B / 660 V	Type	Order number	Weight/unit [kg]
Includes selector type black handle (I-O and ON-OFF indication)				
2	16	OTDCP16S11M	1SCA125129R1001	0.55

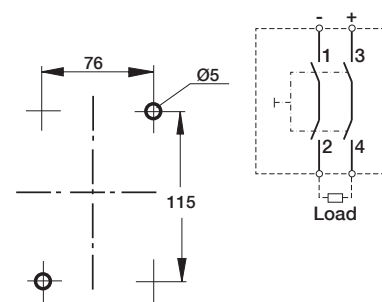
Technical data according to IEC 60947

Enclosed switch-disconnector	Type/size	OTDCP 16_	
Rated insulation voltage	Pollution degree 2	V	1250
	Pollution degree 3	V	1000
Dielectric strength	50 Hz 1 min	kV	6
Rated impulse withstand voltage		kV	8
Rated thermal current I_{th} , DC-20 / AC-20	In enclosure 40 °C	A	16
	In enclosure 60 °C	A	16
Rated operational current / poles in series DC-21B	500 V	A	16/2
	660 V	A	16/2
	1000 V	A	10/2
Rated short time withstand current 1000 V, 1 s	r.m.s. value	kA	0.4
Power loss	At rated current	W	0.3
Mechanical endurance		oper.	4000
Cu-conductor suitable for terminal clamps		mm ²	2.5...16
Terminal tightening torque		Nm	1.4

Dimension drawing



Circuit diagram



Plastic enclosed switch-disconnector OTDCP16S12M

OTDCP16S12M



Front operated DC-switch-disconnector

Up to 1000 VDC, plastic enclosed, IP65, black handle

M20 threaded knock-outs, compression glands have to be ordered separately.

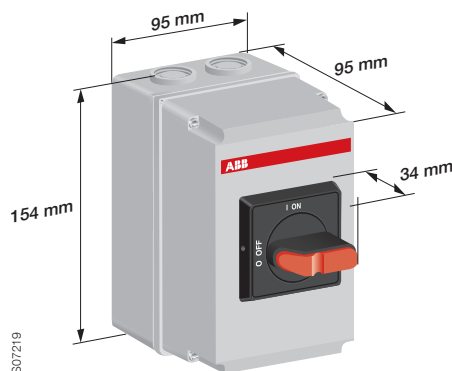
Number of poles	Rated operat. current [A] DC 21B / 1000 V	Type	Order number	Weight/unit [kg]
3	16	OTDCP16S12M	1SCA125153R1001	0.59

Includes selector type black handle (I-O and ON-OFF indication)

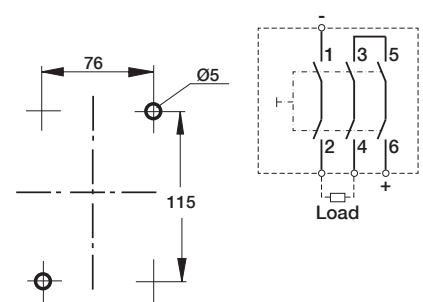
Technical data according to IEC 60947

Enclosed switch-disconnector	Type/size	OTDCP 16_	
Rated insulation voltage	Pollution degree 2	V	1250
	Pollution degree 3	V	1000
Dielectric strength	50 Hz 1 min	kV	6
Rated impulse withstand voltage		kV	8
Rated thermal current I_{th} , DC-20 / AC-20	In enclosure 40 °C	A	16
	In enclosure 60 °C	A	16
Rated operational current / poles in series DC-21B	800 V	A	16/3
	1000 V	A	16/3
Rated short time withstand current 1000 V, 1 s	r.m.s. value	kA	0.4
Power loss / three poles	At rated current	W	0.45
Mechanical endurance		oper.	4000
Cu-conductor suitable for terminal clamps		mm ²	2.5...16
Terminal tightening torque		Nm	1.4

Dimension drawing



Circuit diagram



Plastic enclosed switch-disconnector OTDCP25S11M

OTDCP25S11M



Front operated DC-switch-disconnector

Up to 660 VDC, plastic enclosed, IP65, black handle

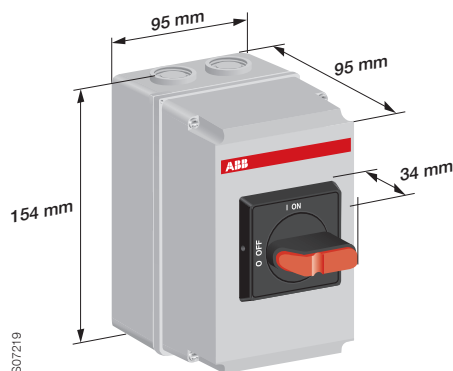
M20 threaded knock-outs, compression glands have to be ordered separately.

Number of poles	Rated operat. current [A] DC 21B / 660 V	Type	Order number	Weight/unit [kg]
Includes selector type black handle (I-O and ON-OFF indication)				
2	25	OTDCP25S11M	1SCA125130R1001	0.55

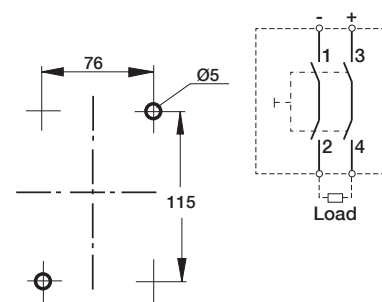
Technical data according to IEC 60947

Enclosed switch-disconnector	Type/size	OTDCP 25_	
Rated insulation voltage	Pollution degree 2	V	1250
	Pollution degree 3	V	1000
Dielectric strength	50 Hz 1 min	kV	6
Rated impulse withstand voltage		kV	8
Rated thermal current I_{th} , DC-20 / AC-20	In enclosure 40 °C	A	25
	In enclosure 60 °C	A	25
Rated operational current / poles in series DC-21B	500 V	A	25/2
	660 V	A	25/2
	1000 V	A	16/2
Rated short time withstand current 1000 V, 1 s	r.m.s. value	kA	0.6
Power loss / two poles	At rated current	W	0.6
Mechanical endurance		oper.	4000
Cu-conductor suitable for terminal clamps		mm ²	2.5...16
Terminal tightening torque		Nm	1.4

Dimension drawing



Circuit diagram



Plastic enclosed switch-disconnector OTDCP25S12M

OTDCP25S12M



Front operated DC-switch-disconnector

Up to 1000 VDC, plastic enclosed, IP65, black handle

M20 threaded knock-outs, compression glands have to be ordered separately.

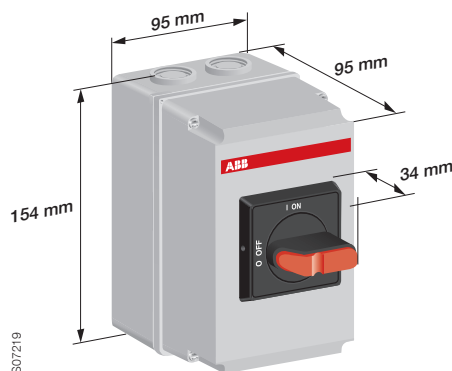
Number of poles	Rated operat. current [A] DC 21B / 1000 V	Type	Order number	Weight/unit [kg]
3	25	OTDCP25S12M	1SCA125154R1001	0.59

Includes selector type black handle (I-O and ON-OFF indication)

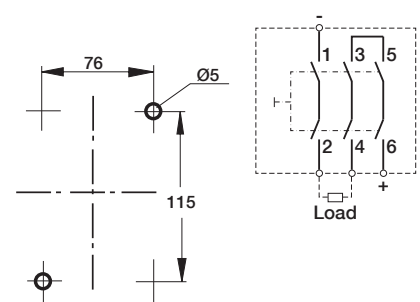
Technical data according to IEC 60947

Enclosed switch-disconnector	Type/size	OTDCP 25_	
Rated insulation voltage	Pollution degree 2	V	1250
	Pollution degree 3	V	1000
Dielectric strength	50 Hz 1 min	kV	6
Rated impulse withstand voltage		kV	8
Rated thermal current I_{th} , DC-20 / AC-20	In enclosure 40 °C	A	25
	In enclosure 60 °C	A	25
Rated operational current / poles in series DC-21B	800 V	A	25/3
	1000 V	A	25/3
Rated short time withstand current 1000 V, 1 s	r.m.s. value	kA	0.6
Power loss / three poles	At rated current	W	0.9
Mechanical endurance		oper.	4000
Cu-conductor suitable for terminal clamps		mm ²	2.5...16
Terminal tightening torque		Nm	1.4

Dimension drawing



Circuit diagram



Plastic enclosed switch-disconnector BW 225 DP

BW 225 DP



Side operated switch-disconnectors

Plastic enclosed, IP65, black handle

Enclosure in robust PBT plastic with metric threaded cable entries. Light grey box with dark grey cover and operating handle. Delivery includes PE terminal and membrane glands (IP54) / sealing plugs. For IP65 degree of protection compression glands must be used.

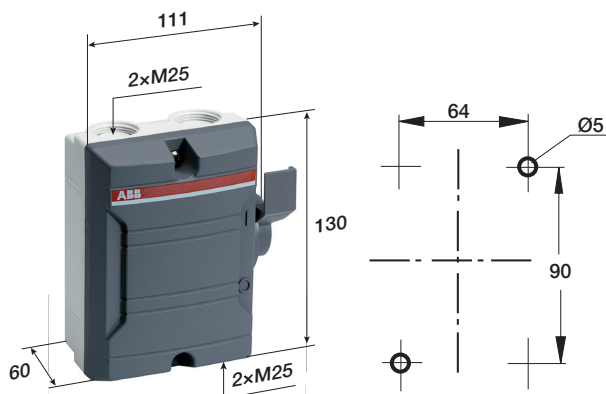
Number of poles	Rated operat. current [A]			Type	Order number	Weight/unit [kg]
	AC22A 230V	AC22A 400V	AC23A 400V			
2	25	25	16	BW225 DP	2CMA142400R1000	0.29

Includes selector type black handle (I-O and ON-OFF indication)

Technical data according to IEC60529 and IEC 60947-3

Enclosed switch-disconnector	Type/size	BW225DP	
Rated insulation voltage	V	690	
Rated thermal current and rated operational current AC20/DC20	40°C	A	25
Rated operational current, AC-21A and AC-22A	400V	A	25
	500V	A	25
	690V	A	16
Rated operational current, AC-23A	400V	A	16
	440V	A	16
	500V	A	16
	690V	A	10
Rated conditional short-circuit current r.m.s and corresponding cut-off current of the fuse in single-phase test according to IEC60269	25kA, 500V	kA	4.8
	Fuse size: gG/aM	A	50/50
Cu-wire size suitable for terminal		mm ²	1.5...4

Dimension drawing



Plastic enclosed switch-disconnector BW 425 TPSN

BW 425 TPSN



Side operated switch-disconnectors

Plastic enclosed, IP65, black handle

Enclosure in robust PBT plastic with metric threaded cable entries. Light grey box with dark grey cover and operating handle. Delivery includes PE terminal and membrane glands (IP54) / sealing plugs. For IP65 degree of protection compression glands must be used.

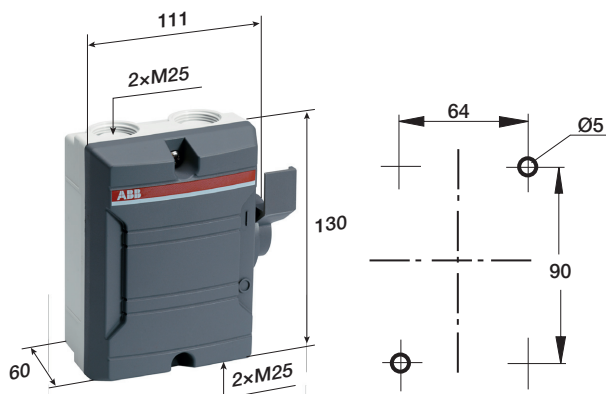
Number of poles	Rated operat. current [A]				Type	Order number	Weight/unit [kg]
	AC22A 400V	AC22A 500V	AC22A 690V	AC23A 500V			
4	25	25	16	16	BW425 TPSN	2CMA142405R1000	0.31

Includes selector type black handle (I-O and ON-OFF indication)

Technical data according to IEC60529 and IEC 60947-3

Enclosed switch-disconnector	Type/size	BW425TPSN	
Rated insulation voltage	V	690	
Rated thermal current and rated operational current AC20/DC20	40°C	A	25
Rated operational current, AC-21A and AC-22A	400V	A	25
	500V	A	25
	690V	A	16
Rated operational current, AC-23A	400V	A	16
	440V	A	16
	500V	A	16
	690V	A	10
Rated conditional short-circuit current r.m.s and corresponding cut-off current of the fuse in single-phase test according to IEC60269	25kA, 500V	kA	4.8
	Fuse size: gG/aM	A	50/50
Cu-wire size suitable for terminal	mm ²	1.5...4	

Dimension drawing



For more information please contact:

ABB Oy

Breakers and Switches

P.O. Box 622

FI-65101 Vaasa, Finland

Phone: +358 10 22 11

Fax: +358 10 22 45708

E-Mail: firstname.surname@fi.abb.com

www.abb.com